

GP Flanged Coupler

March , 2022

MATERIAL

- **Body:** Hot galvanized Spheroidal cast iron GGG40 (ASTM A-536). The inner surface of the coupling has special stainless steel teeth.
- **Gasket:** EPDM.
- VITON or other gasket materials upon special request.
- **Bolts:** galvanized carbon steel.

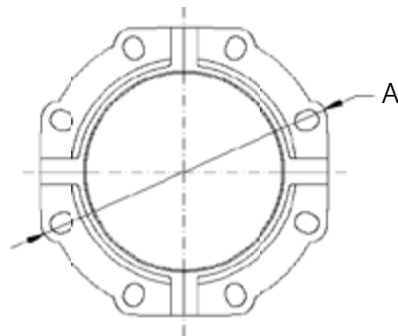
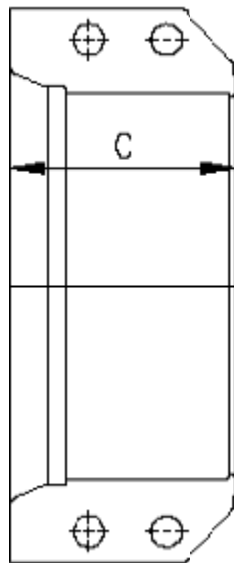
SPECIFICATIONS

Pressure & temperature rating:

- GP Flange Couplers 63 mm - 280 mm are suitable for the full pipe pressure and temperature range (up to class 30).
- For sizes 315 mm - 400 mm consider maximum pressure of 15 bar.
- For sizes 450 mm - 710mm consider maximum pressure of 10 bar.
- For higher working pressure please contact Pexgol Application team.

NOTES

- Fix point clamps should be used after GP Flange Coupler in order to prevent pipe pull-out.



Pitch Circle Diameter Compatibility with international flange standards

| Catalog Number | Pipe OD (mm) | Nominal Flange size | | DIN | | | ANSI | | | BSTD |
|----------------|--------------|---------------------|--------|------|------|------|------|-----|-----|------|
| | | DN (mm) | In. | 2632 | 2633 | 2634 | 125 | 150 | 300 | |
| | | | | 10 | 16 | 25 | | | | |
| 50806320 | 63 | 50 | 2" | V | V | V | V | V | V | - |
| 50807525 | 75* | 65 | 2 1/2" | V | V | - | V | V | - | - |
| 50809030 | 90 | 80 | 3" | V | V | V | V | V | V | - |
| 50811040 | 110 | 100 | 4" | V | V | V | V | V | V | V |
| 50812540 | 125 | 100 | 4" | V | V | V | V | V | V | V |
| 50814060 | 140 | 150 | 6" | V | V | - | V | V | - | V |
| 50816060 | 160 | 150 | 6" | V | V | - | V | V | - | V |
| 50818060 | 180 | 150 | 6" | V | V | - | V | V | - | V |
| 50820080 | 200 | 200 | 8" | V | - | - | V | V | - | V |
| 50822580 | 225 | 200 | 8" | V | V | - | V | V | - | V |
| 50825010 | 250 | 250 | 10" | V | V | - | V | V | - | - |
| 50828010 | 280 ASA | - | 10" | - | V | - | V | V | - | - |
| 50928010 | 280 BS | 250 | | - | - | - | - | - | - | V |
| 50831512 | 315 | 300 | 12" | - | V | - | V | V | - | V |
| 50835514 | 355 | 350 | 14" | - | - | - | V | V | - | V |
| 50840016 | 400 | 400 | 16" | - | - | - | V | V | - | - |
| 50845018 | 450 | 450 | 18" | - | - | - | V | V | - | - |
| 50850020 | 500 | 500 | 20" | V | V | - | V | V | - | - |
| 50863024 | 630 | - | 24" | - | - | - | V | V | - | - |
| 50871028 | 710 | - | 28" | - | - | - | V | V | - | - |

General dimensions of flanged couplings and bolts for connecting two quarters of coupler

| Catalog Number | Outside diameter of pipe (mm) | Nominal Flange size | | A | C | Bolt size (in.) | Bolt length (mm)* | No. of bolts | Weight (kg) |
|----------------|-------------------------------|---------------------|--------|-----|-----|-----------------|-------------------|--------------|-------------|
| | | DN | in. | | | | | | |
| 50806320 | 63 | 50 | 2 | 165 | 70 | 3/8" | 40 | 4 | 2.7 |
| 50807525 | 75* | 65 | 2 1/2" | 185 | 80 | 1/2" | 45 | 4 | 2.5 |
| 50809030 | 90 | 80 | 3 | 208 | 96 | 1/2" | 45 | 4 | 4.0 |
| 50811040 | 110 | 100 | 4 | 242 | 110 | 5/8" | 45 | 8 | 6.5 |
| 50812540 | 125 | 100 | 4 | 242 | 110 | 5/8" | 45 | 8 | 8 |
| 50814060 | 140 | 150 | 6 | 285 | 120 | 5/8" | 50 | 8 | 10 |
| 50816060 | 160 | 150 | 6 | 285 | 120 | 5/8" | 50 | 8 | 11.2 |
| 50818006 | 180 | 150 | 6 | 285 | 119 | 5/8" | 50 | 8 | 12.1 |
| 50820080 | 200 | 200 | 8 | 348 | 130 | 5/8" | 50 | 8 | 13.0 |
| 50822580 | 225 | 200 | 8 | 344 | 130 | 5/8" | 50 | 8 | 12.4 |
| 50825010 | 250 | 250 | 10 | 410 | 150 | 5/8" | 60 | 8 | 17.0 |
| 50828010 | 280 ASA | | 10 | 405 | 160 | 5/8" | 60 | 8 | 20.0 |
| 50928010 | 280 BS | 250 | | 405 | 160 | 5/8" | 60 | 8 | 20.0 |
| 50831512 | 315 | 300 | 12 | 475 | 180 | 3/4" | 70 | 8 | 27.7 |
| 50835514 | 355 | 350 | 14 | 535 | 200 | 3/4" | 70 | 8 | 40.0 |
| 50840016 | 400 | 400 | 16 | 600 | 215 | 7/8" | 70 | 8 | 55.0 |
| 50845018 | 450 | 450 | 18 | 635 | 235 | 7/8" | 70 | 8 | 65.0 |
| 50850020 | 500 | 500 | 20 | 715 | 280 | 7/8" | 80 | 8 | 68.0 |
| 50863024 | 630 | | 24 | 840 | 280 | 7/8" | 80 | 8 | 86.0 |
| 50871028 | 710 | | 28 | 930 | 320 | 3/4" | 100 | 8 | 135.0 |

Notes:

- (*) For a 75 mm flange coupler a special production is required and therefore a minimum quantity order is required.
- Bolt type: HEX Head / Nut - UNC Gr.5 Zinc Plated

Bolts for connecting two flanged couplings

| Pexgol Pipe diameter | Flange size | Bolt size** | Bolt length (mm)** | No.of bolts | Torque N x m | Torque lb x ft |
|----------------------|-------------|-------------|--------------------|-------------|--------------|----------------|
| 63 | 2" | 5/8" | 50 | 4 | 81 | 60 |
| 75 | 2 ½" | 5/8" | 50 | 4 | 81 | 60 |
| 90 | 3" | 5/8" | 50 | 4 | 81 | 60 |
| 110 | 4" | 5/8" | 50 | 8 | 81 | 60 |
| 125 | 4" | 5/8" | 50 | 8 | 81 | 60 |
| 140 | 6" | 3/4" | 60 | 8 | 136 | 100 |
| 160 | 6" | 3/4" | 60 | 8 | 136 | 100 |
| 180 | 6" | 3/4" | 60 | 8 | 136 | 100 |
| 200 | 8" | 3/4" | 60 | 8 | 136 | 100 |
| 225 | 8" | 3/4" | 60 | 8 | 136 | 100 |
| 250 | 10" | 7/8" | 70 | 12 | 217 | 160 |
| 280 | 10" | 7/8" | 70 | 12 | 217 | 160 |
| 315 | 12" | 1" | 70 | 12 | 217 | 160 |
| 355 | 14" | 1" | 70 | 12 | 332 | 245 |
| 400 | 16" | 1" | 75 | 16 | 332 | 245 |
| 450 | 18" | 1-1/8" | 75 | 16 | 481 | 355 |
| 500 | 20" | 1-1/8" | 90 | 20 | 481 | 355 |
| 560 | 22" | 1-1/4" | 90 | 20 | 580 | 427 |
| 630 | 24" | 1-1/4" | 90 | 20 | 678 | 500 |
| 710 | 28" | 1-1/4" | 110 | 28 | 776 | 572 |

Notes:

- Torquening the bolts should be done in a crisscross manner.
- When connecting a GP Flanged Coupler with a flared end, the torquening values of the GP Flanged Coupler are the ones that should be use.