

Lined Elbows

January, 2022

MATERIAL

- Lining PE-X ASTM D1998-04
- Body St 37.0-DIN 1629

Available on request:

- Teflon lining.
- One or two loose flanges.
- ANSI B16.5 Class 300 flanges.
- Stainless steel body and flanges 304/316.
- Different lengths (L).

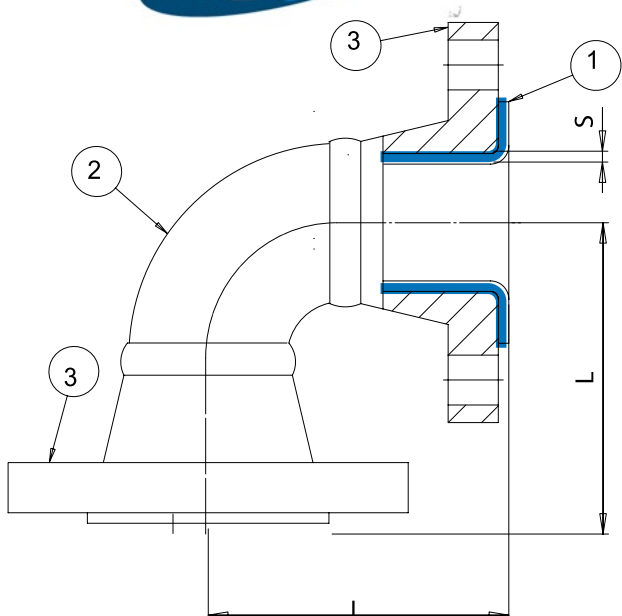
SPECIFICATIONS

Temperature limits:

- PE-X: -30° to +90°C
- Teflon: Up to 110°C

NOTES

- Lined pipes and fittings made with PE-X inner coating can be manufactured in diameters from 2" and up to 24".
- Lined pipes and fittings made with Teflon inner coating can be manufactured in diameters from 1" and up to 24".
- For lined pipes or fittings in lower/higher diameters please consult with Golan.



Lined Elbows 90° ANSI B16.5 - Class 150#

Cat No.	DN Inch	L mm	Pex Lining Thickness	Weight
Pex-LE90-15025	1"	89	3.0	3.1
Pex-LE90-15032	1 ¼"	95	3.0	4.0
Pex-LE90-15038	1 ½"	102	3.0	4.5
Pex-LE90-15050	2"	114	3.5	6.5
Pex-LE90-15063	2 ½"	127	3.5	9.0
Pex-LE90-15080	3"	140	4.0	12.0
Pex-LE90-150100	4"	165	4.0	19.0
Pex-LE90-150125	5"	190	4.0	22.0
Pex-LE90-150150	6"	203	6.0	34.0
Pex-LE90-150200	8"	229	6.0	57.0
Pex-LE90-150250	10"	279	6.0	82.0
Pex-LE90-150300	12"	305	7.0	115.0
Pex-LE90-150350	14"	546	7.0	150.0
Pex-LE90-150400	16"	610	7.0	192.0
Pex-LE90-150450	18"	673	7.0	225.0
Pex-LE90-150500	20"	737	7.0	280.0
Pex-LE90-150600	24"	864	7.0	395.0

Lined Elbows 45° ANSI B16.5 - Class 150#

Cat No.	DN Inch	L mm	Pex Lining Thickness	Weight
Pex-LE45-15025	1"	45	3.0	3.0
Pex-LE45-15032	1 ¼"	51	3.0	4.0
Pex-LE45-15038	1 ½"	57	3.0	6.0
Pex-LE45-15050	2"	64	3.5	9.0
Pex-LE45-15063	2 ½"	76	3.5	13.0
Pex-LE45-15080	3"	76	4.0	15.0
Pex-LE45-150100	4"	102	4.0	20.0
Pex-LE45-150125	5"	114	4.0	26.0
Pex-LE45-150150	6"	127	6.0	33.0
Pex-LE45-150200	8"	140	6.0	54.0
Pex-LE45-150250	10"	165	6.0	75.0
Pex-LE45-150300	12"	190	7.0	110.0
Pex-LE45-150350	14"	190	7.0	117.0
Pex-LE45-150400	16"	203	7.0	145.0
Pex-LE45-150450	18"	216	7.0	165.0
Pex-LE45-150500	20"	241	7.0	210.0
Pex-LE45-150600	24"	279	7.0	290.0

Lined Elbows 60° ANSI B16.5 - Class 150#

Cat No.	DN Inch	L mm	Pex Lining Thickness	Weight
Pex-LE60-15025	1"	45	3.0	2.7
Pex-LE60-15032	1 ¼"	51	3.0	3.6
Pex-LE60-15038	1 ½"	57	3.0	5.4
Pex-LE60-15050	2"	64	3.5	8.1
Pex-LE60-15063	2 ½"	76	3.5	11.7
Pex-LE60-15080	3"	76	4.0	13.5
Pex-LE60-150100	4"	102	4.0	18.0
Pex-LE60-150125	5"	114	4.0	20.5
Pex-LE60-150150	6"	127	6.0	26.1
Pex-LE60-150200	8"	140	6.0	42.7
Pex-LE60-150250	10"	165	6.0	59.3
Pex-LE60-150300	12"	190	7.0	86.9
Pex-LE60-150350	14"	190	7.0	92.4
Pex-LE60-150400	16"	203	7.0	114.6
Pex-LE60-150450	18"	216	7.0	130.4
Pex-LE60-150500	20"	241	7.0	165.9
Pex-LE60-150600	24"	279	7.0	229.1

Lined Elbows 30° ANSI B16.5 - Class 150#

Cat No.	DN Inch	L mm	Pex Lining Thickness	Weight
Pex-LE30-15025	1"	45	3.0	2.7
Pex-LE30-15032	1 ¼"	51	3.0	3.6
Pex-LE30-15038	1 ½"	57	3.0	5.4
Pex-LE30-15050	2"	64	3.5	8.1
Pex-LE30-15063	2 ½"	76	3.5	11.7
Pex-LE30-15080	3"	76	4.0	13.5
Pex-LE30-150100	4"	102	4.0	16.0
Pex-LE30-150125	5"	114	4.0	20.8
Pex-LE30-150150	6"	127	6.0	26.4
Pex-LE30-150200	8"	140	6.0	43.2
Pex-LE30-150250	10"	165	6.0	56.3
Pex-LE30-150300	12"	190	7.0	82.5
Pex-LE30-150350	14"	190	7.0	87.8
Pex-LE30-150400	16"	203	7.0	108.8
Pex-LE30-150450	18"	216	7.0	123.8
Pex-LE30-150500	20"	241	7.0	157.5
Pex-LE30-150600	24"	279	7.0	217.5