

Lined Lateral Tee

ANSI B16.5 - Class 150#

January, 2022

MATERIAL

- Lining PE-X ASTM D1998-04
 - Body St 37.0-DIN 1629
- Available on request:
- Teflon lining.
 - One or two loose flanges.
 - ANSI B16.5 Class 300 flanges.
 - Stainless steel body and flanges 304/316.
 - Different lengths (L).

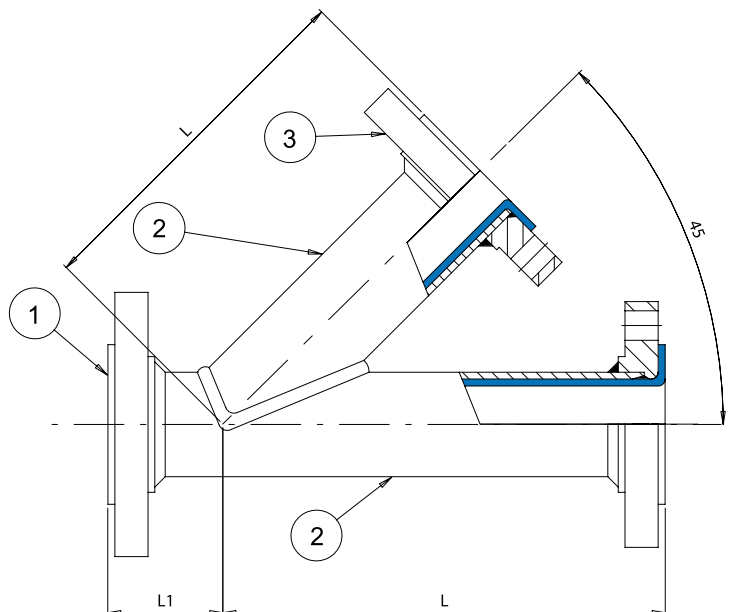
SPECIFICATIONS

Temperature limits:

- PE-X: -30° to +90°C
- Teflon: Up to 110°C

NOTES

- Lined pipes and fittings made with PE-X inner coating can be manufactured in diameters from 2" and up to 24".
- Lined pipes and fittings made with Teflon inner coating can be manufactured in diameters from 1" and up to 24".
- For lined pipes or fittings in lower/higher diameters please consult with Golan.



Cat No.	DN Inch	L mm	L 1 mm	Pex Lining Thickness	Weight kg
Pex-LLT-15025	1"	146	45	45	4.0 7.0
Pex-LLT-15038	1 ½"	178	51	51	9.0
Pex-LLT-15050	2"	203	64	64	19.5
Pex-LLT-15080	3"	254	76	76	36.0
Pex-LLT-150100	4"	305	76	76	53.0
Pex-LLT-150150	6"	368	89	89	80.0
Pex-LLT-150200	8"	445	115	115	13.0